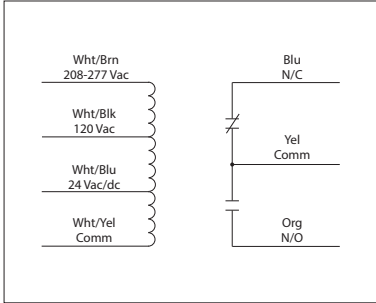


20 AMP POWER CONTROL RELAYS

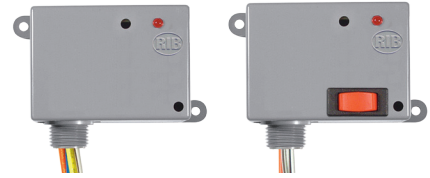
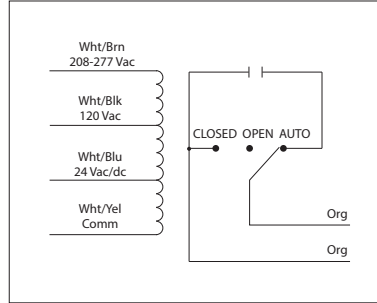
RIB2421B

Enclosed Relay 20 Amp with
24 Vac/dc/208-277 Vac/120 Vac Coil



RIB2421SB

Enclosed Relay 20 Amp + **Override** with
24 Vac/dc/208-277 Vac/120 Vac Coil



GREAT SERVICE TRUCK RELAY
ONE RELAY COVERS MOST APPLICATIONS

RELAYS

SPECIFICATIONS

Relays & Contact Type: One (1) SPDT Continuous Duty Coil (RIB2421B)
One (1) SPST Continuous Duty Coil (RIB2421SB)

Expected Relay Life: 10 million cycles minimum mechanical

Operating Temperature: -30 to 140° F

Humidity Range: 5 to 95% (noncondensing)

Operate Time: 18ms

Relay Status: LED On = Activated

Dimensions: 2.30" x 3.20" x 1.80" with .50" NPT Nipple

Wires: 16", 600V Rated

Approvals: UL Listed, UL916, UL864, C-UL
California State Fire Marshal

Housing Rating: UL Accepted for Use in Plenum, NEMA 1

Gold Flash: No

Override Switch: No (RIB2421B)
Yes (RIB2421SB)

Contact Ratings (RIB2421B):

20 Amp Resistive @ 277 Vac
5 Amp Resistive @ 480 Vac
20 Amp Ballast @ 277 Vac
16 Amp Electronic Ballast @ 277 Vac (N/O)
10 Amp Tungsten @ 120 Vac (N/O)
770 VA Pilot Duty @ 120 Vac
1,110 VA Pilot Duty @ 277 Vac
2 HP @ 277 Vac
1 HP @ 120 Vac

Coil Current:

83 mA @ 24 Vac
47 mA @ 120 Vac
69 mA @ 208-277 Vac
47 mA @ 30 Vdc

Coil Voltage Input:

24 Vac/dc ; 208-277 Vac ;
120 Vac ; 50-60 Hz
Drop Out = 2.1 Vac / 3.8 Vdc
Pull In = 18 Vac / 22 Vdc

Contact Ratings (RIB2421SB):

20 Amp Resistive @ 277 Vac
20 Amp Ballast @ 277 Vac (N/O)
10 Amp Ballast @ 277 Vac (N/C)
Not rated for Electronic Ballast
10 Amp Tungsten @ 120 Vac (N/O)
770 VA Pilot Duty @ 120 Vac
1,110 VA Pilot Duty @ 277 Vac
2 HP @ 277 Vac
1 HP @ 120 Vac

Notes:

• Order Normally Closed by adding
"-NC" to end of model number
(RIB2421SB)